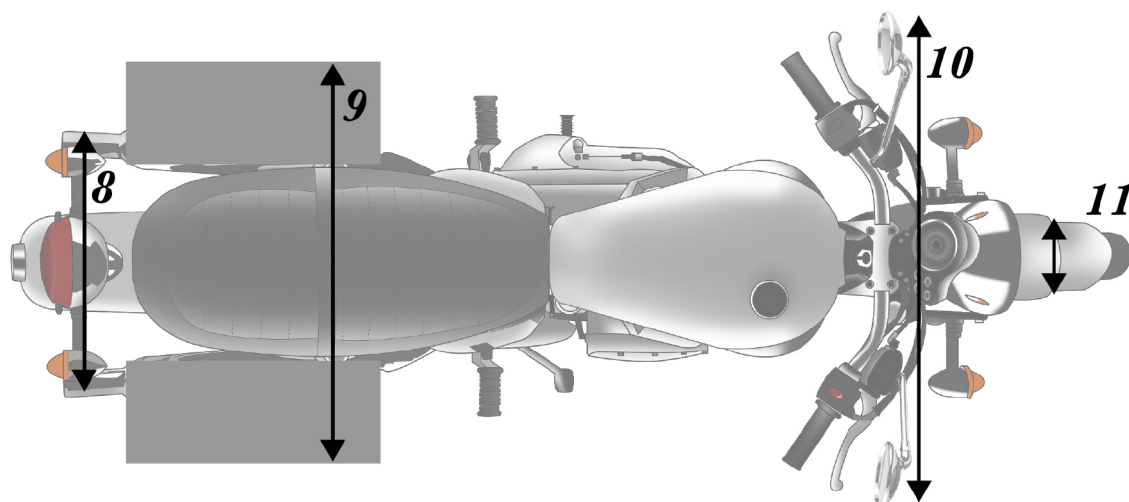
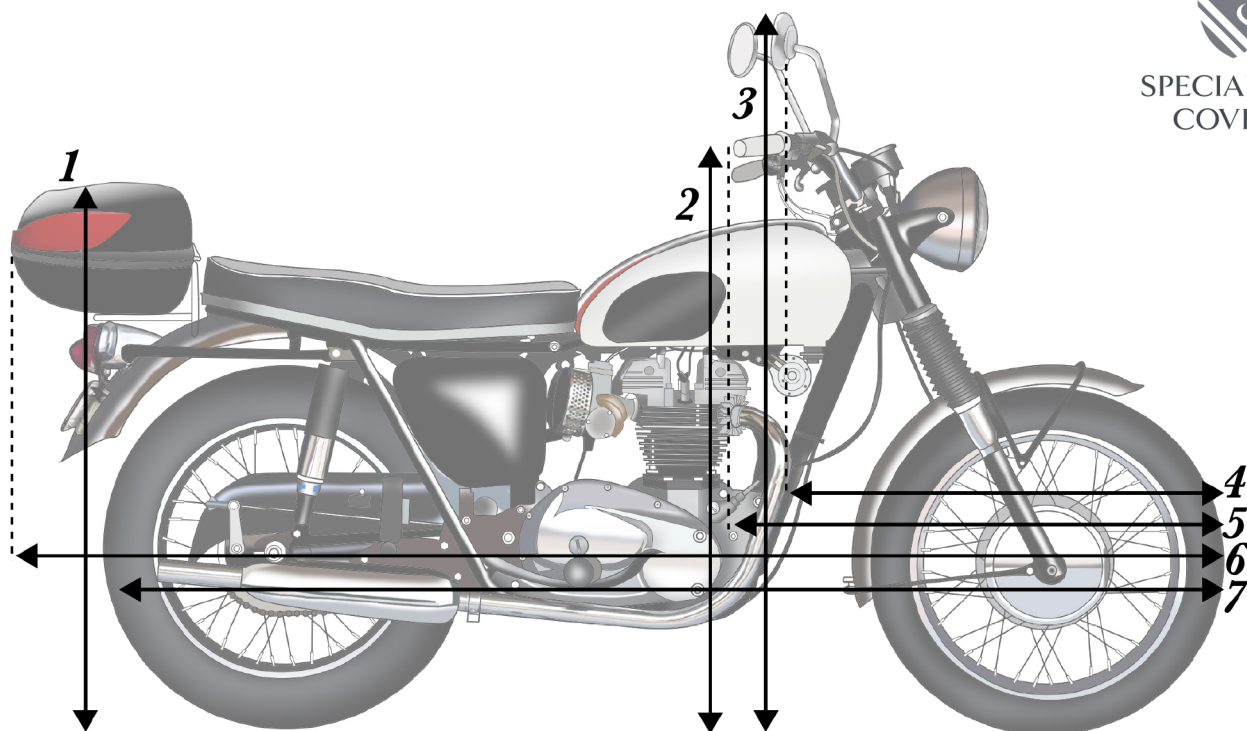




SPECIALISED
COVERS



1. _____
2. _____
3. _____
4. _____
5. _____
6. _____
7. _____
8. _____
9. _____
10. _____
11. _____

YEAR _____

MAKE _____

MODEL _____

TRIM _____