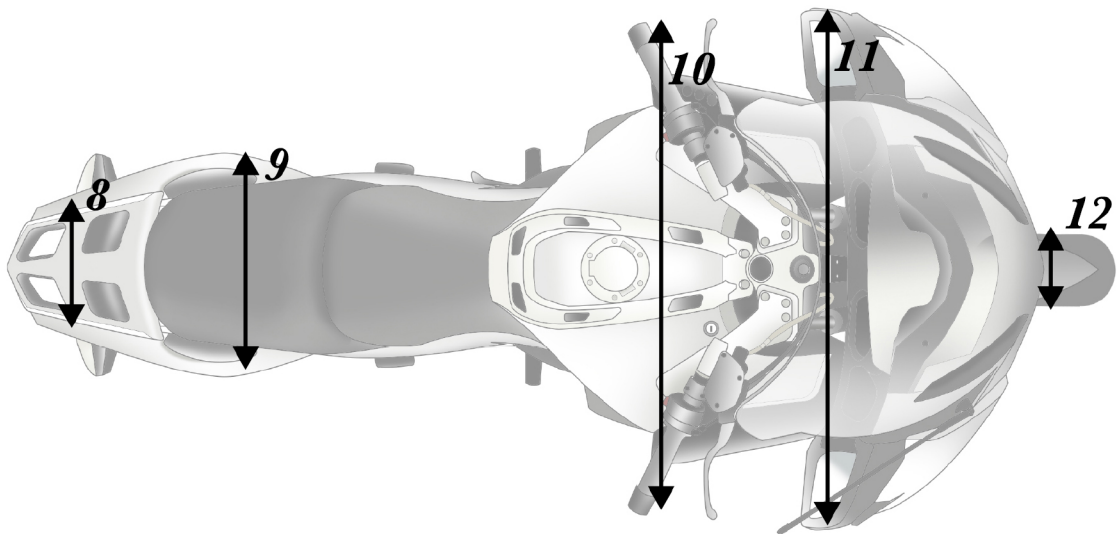
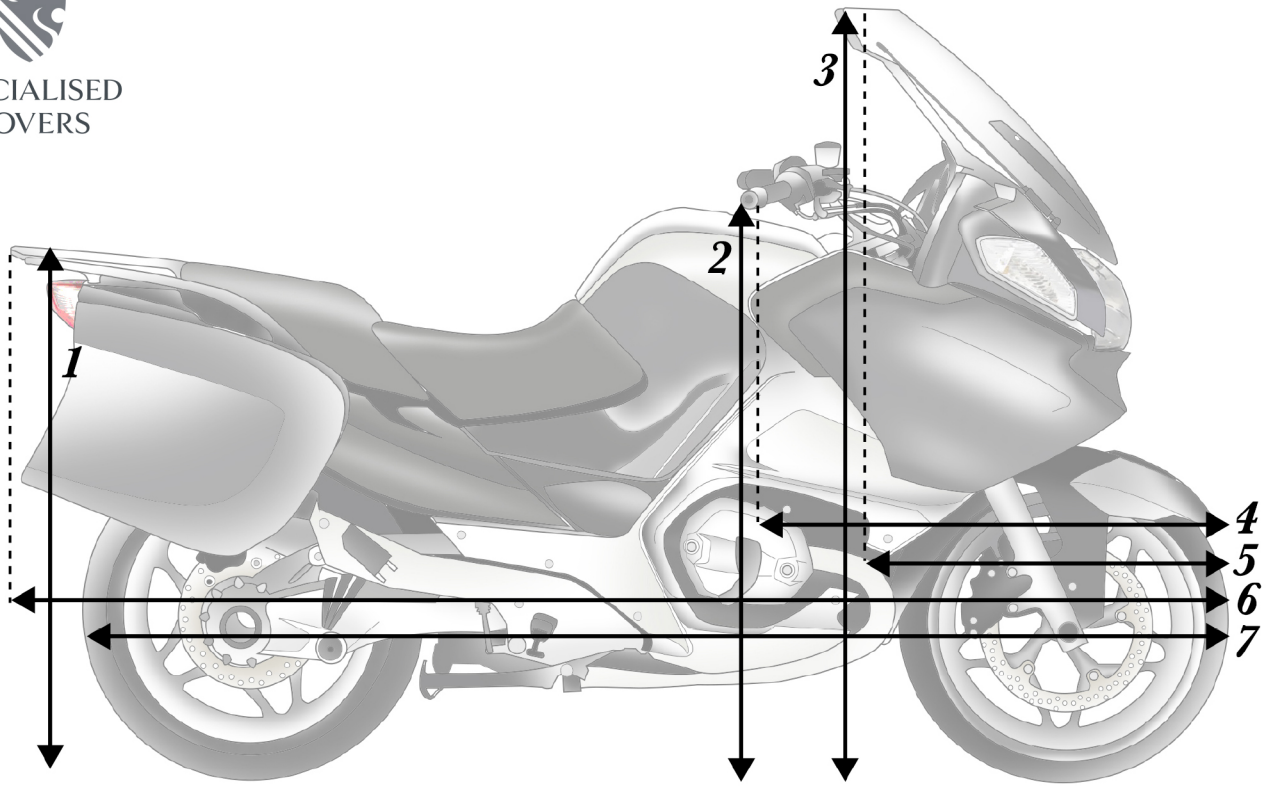




SPECIALISED
COVERS



- 1. _____
- 2. _____
- 3. _____
- 4. _____
- 5. _____
- 6. _____
- 7. _____
- 8. _____
- 9. _____

- 10. _____
 - 11. _____
 - 12. _____
- YEAR** _____
- MAKE** _____
- MODEL** _____
- TRIM** _____