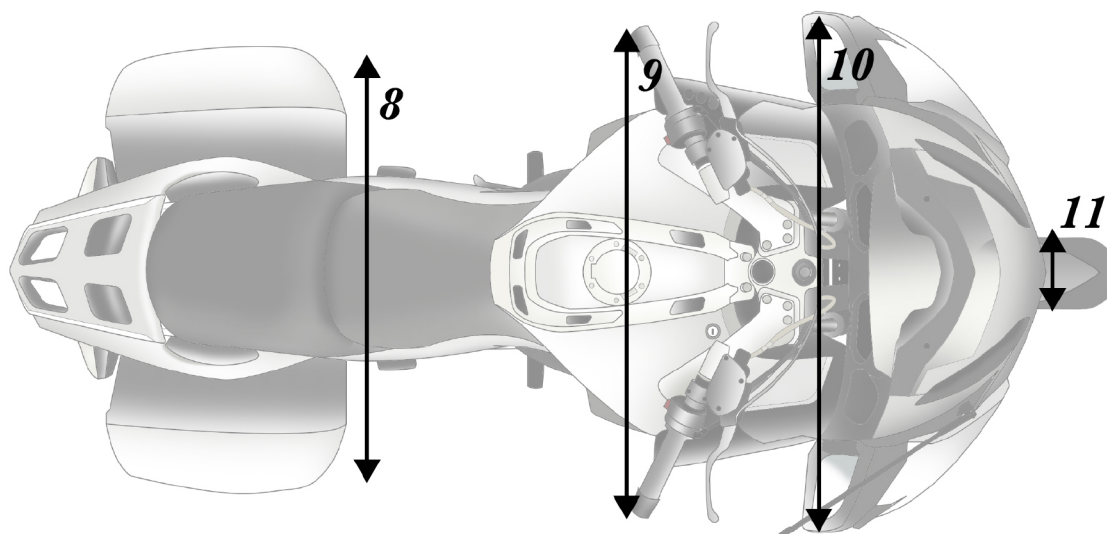
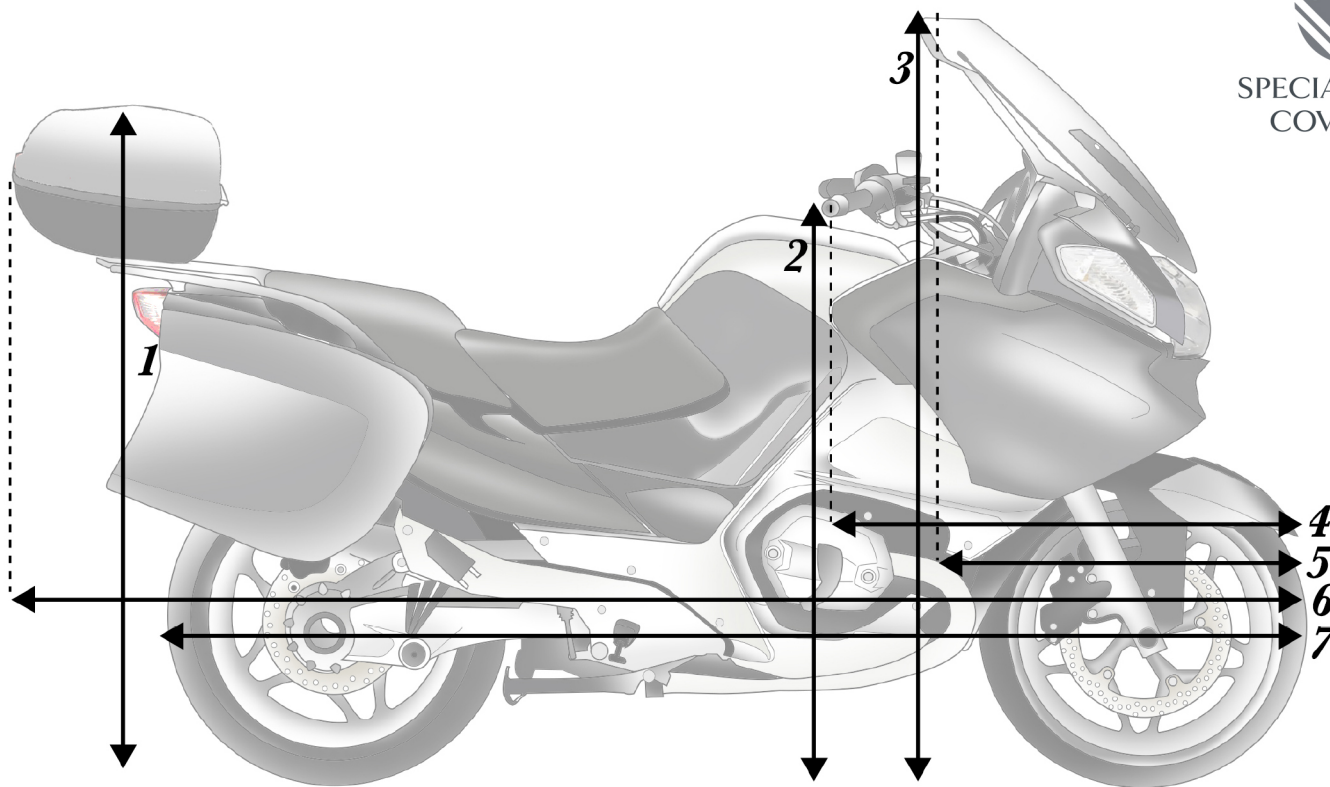




SPECIALISED  
COVERS



- 1. \_\_\_\_\_
- 2. \_\_\_\_\_
- 3. \_\_\_\_\_
- 4. \_\_\_\_\_
- 5. \_\_\_\_\_
- 6. \_\_\_\_\_
- 7. \_\_\_\_\_
- 8. \_\_\_\_\_
- 9. \_\_\_\_\_

- 10. \_\_\_\_\_
- 11. \_\_\_\_\_
- YEAR** \_\_\_\_\_
- MAKE** \_\_\_\_\_
- MODEL** \_\_\_\_\_
- TRIM** \_\_\_\_\_