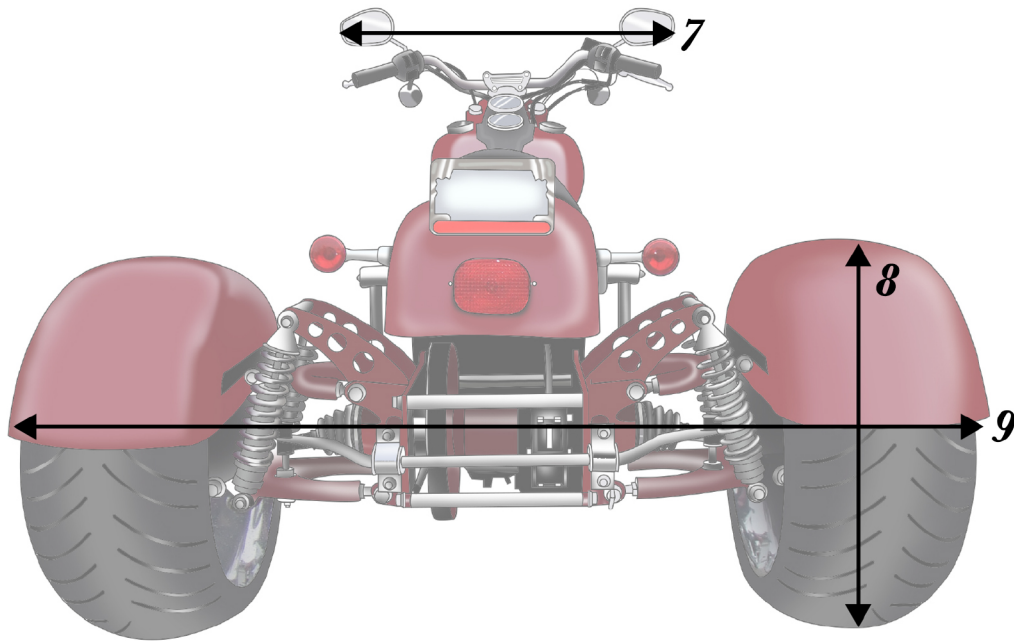
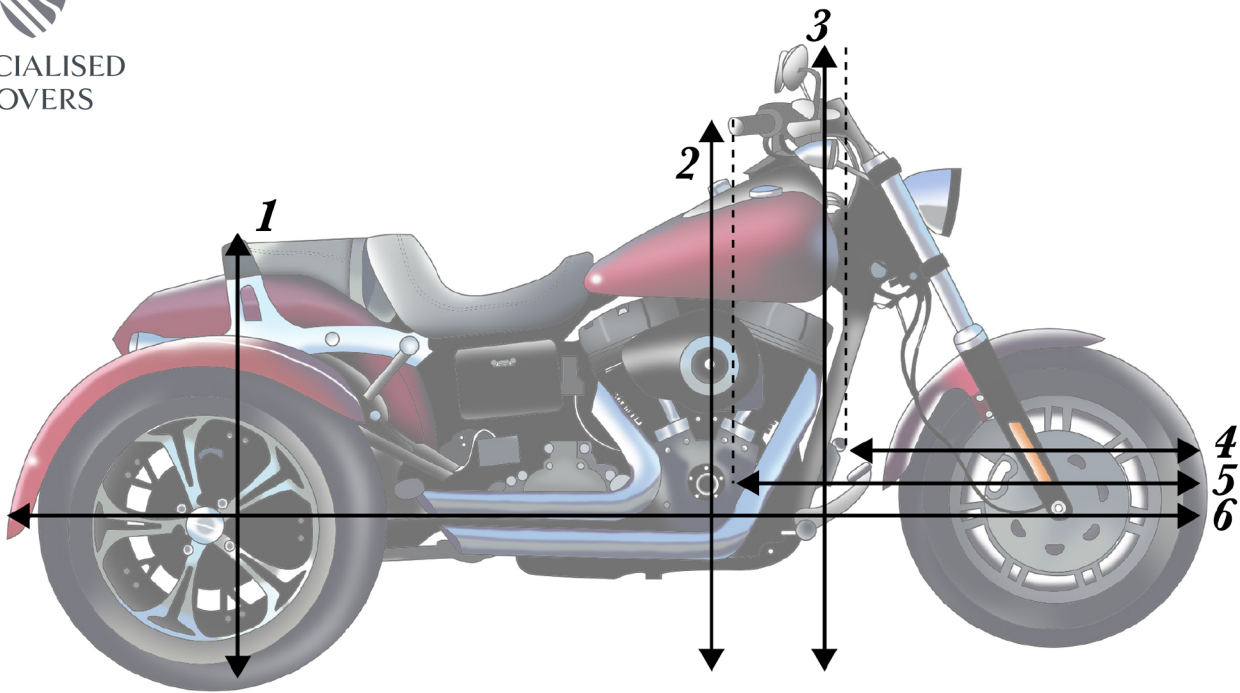




SPECIALISED  
COVERS



1. \_\_\_\_\_
2. \_\_\_\_\_
3. \_\_\_\_\_
4. \_\_\_\_\_
5. \_\_\_\_\_
6. \_\_\_\_\_
7. \_\_\_\_\_
8. \_\_\_\_\_
9. \_\_\_\_\_

**YEAR** \_\_\_\_\_

**MAKE** \_\_\_\_\_

**MODEL** \_\_\_\_\_

**TRIM** \_\_\_\_\_