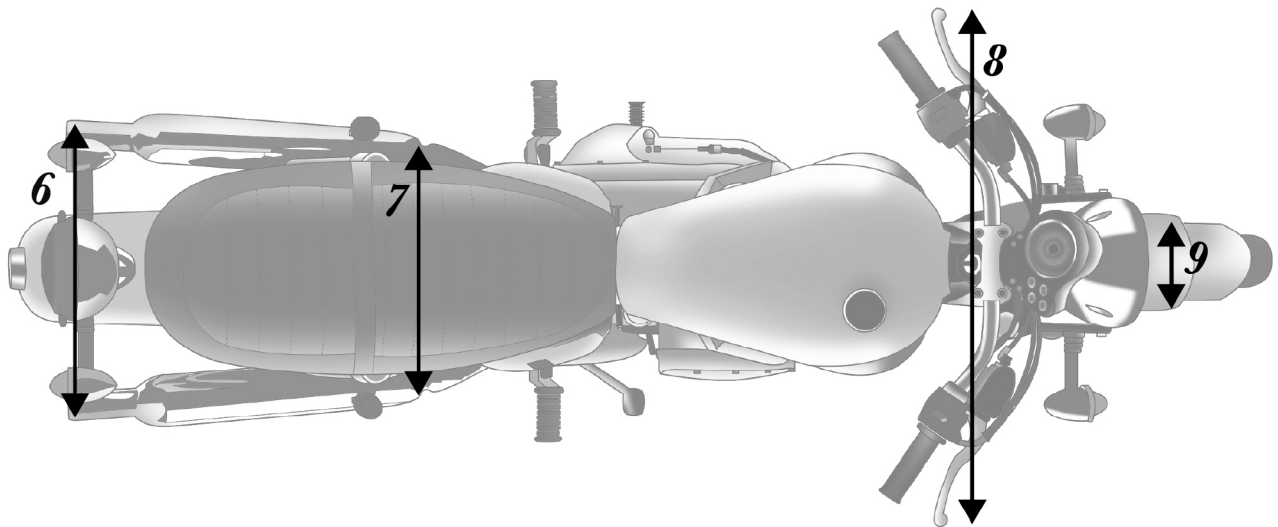
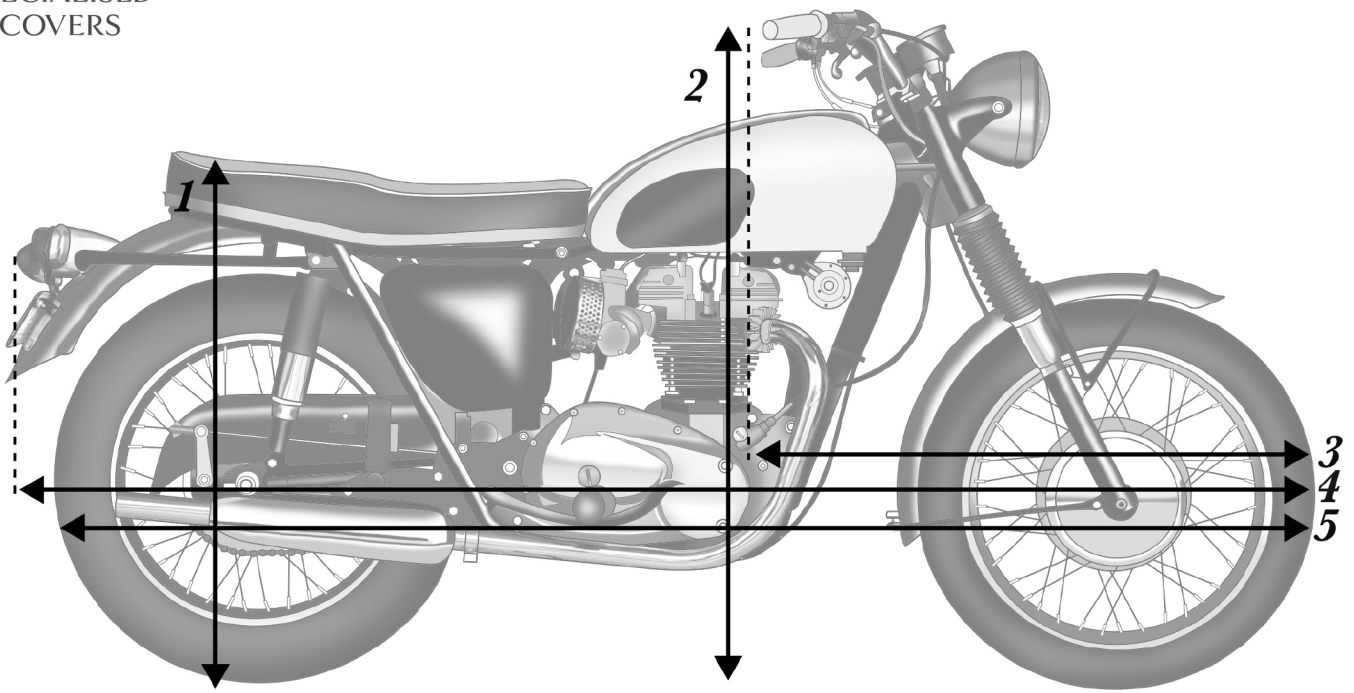




SPECIALISED
COVERS



- 1. _____
- 2. _____
- 3. _____
- 4. _____
- 5. _____
- 6. _____
- 7. _____
- 8. _____
- 9. _____

YEAR _____

MAKE _____

MODEL _____

TRIM _____